

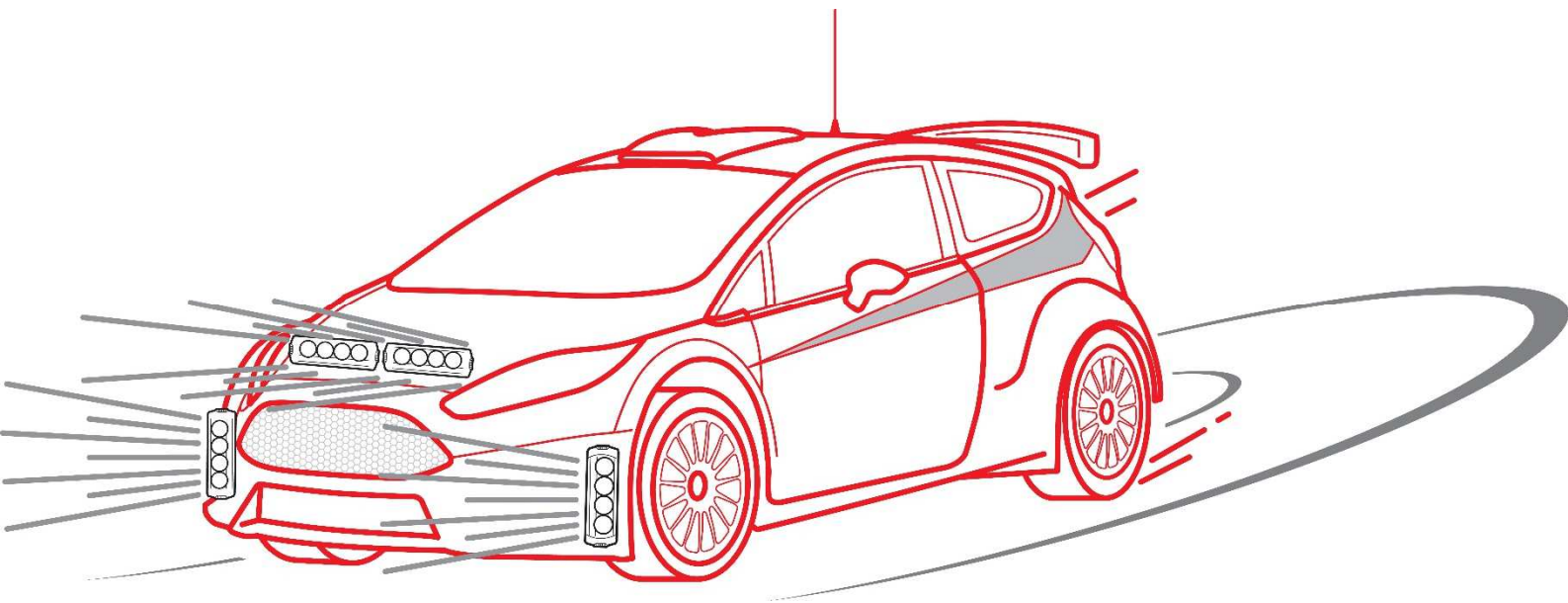
# TRIPLE-R

## COMPETITION

# 1000



Developed around the uncompromising requirements of the professional motorsport market, the Triple-R 1000 Elite is setting the new standard in auxiliary driving lights. Delivering huge distance and fantastic mid-range spread, the flag ship in the Triple-R range incorporates patent-pending *Charged Air Cooling* which boosts light output while the vehicle is in motion. Magnesium components reduce weight, and the most advanced component technology available combine with our *Boost optic* system to deliver incredible performance for Race, Rally and Off-road applications.



## ULTRA LONG-RANGE LED DRIVING LAMPS

# TRIPLE-R

## 1000 COMPETITION



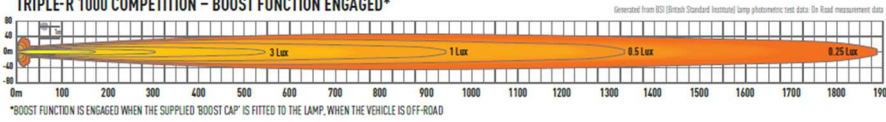
- Ultra long range boost optics
- Latest LED technology to achieve maximum range
- Triple-R Charged Air Cooling System™
- CAE optimised heatsink
- Electronic thermal management
- 'Unbreakable' polycarbonate lens
- Designed & manufactured in Britain



### TECHNICAL SPECIFICATIONS

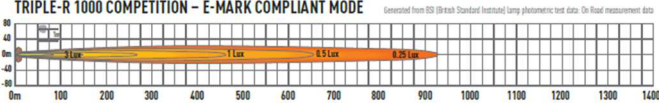
E-MARK REF	40
VOLTAGE RANGE	9V-32V
RAW LUMENS	8000
BEAM PATTERN	Spot
OPTICAL EFFICIENCY	96%
BEAM DISTANCE (0.25LX)	1887 / 927 m
# HIGH POWER LEDs	8
POWER CONSUMPTION	92 Watts
CURRENT DRAW**	6.4 Amps
LED LIFE	50,000 Hrs*
WEIGHT	1380 Grams

TRIPLE-R 1000 COMPETITION - BOOST FUNCTION ENGAGED\*



\*BOOST FUNCTION IS ENGAGED WHEN THE SUPPLIED 'BOOST CAP' IS FITTED TO THE LAMP, WHEN THE VEHICLE IS OFF-ROAD

TRIPLE-R 1000 COMPETITION - E-MARK COMPLIANT MODE



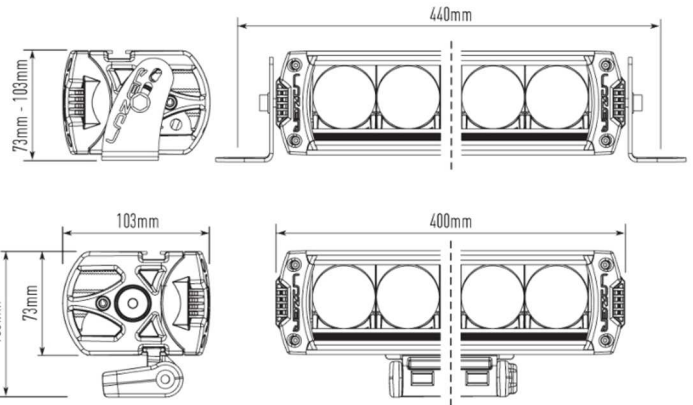
### MOUNTING OPTIONS



(Side Brackets included)



(Boomer Kit sold separately)



#### LAZER LAMPS LTD

Unit 2 Pages Old Mill, Tamworth Road, Hertford, SG13 7DG, UK

Tel: +44(0)1992 677071

Email: sales@lazerlamps.com

www.lazerlamps.com

# LAZER

HIGH PERFORMANCE LIGHTING

