

LAZER

HIGH PERFORMANCE LIGHTING

RS-4



A world first when introduced and still setting the standard, the RS-4 features three ECE approved functions in one compact unit. During daytime driving, the 10 x 0.5W LEDs illuminate to become daytime running lights (DRL). When the vehicle side lights are switched on, these LEDs run at reduced intensity, while switching on the vehicle High Beam, activates the 4 x 11W LEDs, to deliver huge illumination on the road. Our *Dual-Optic* reflector system combine with advanced thermal management systems for optimising light output under all conditions.

LAZER
HIGH PERFORMANCE LIGHTING

LAZER RS-4

200m
100m



HYBRID OPTIC LED DRIVING LAMPS

RS-4

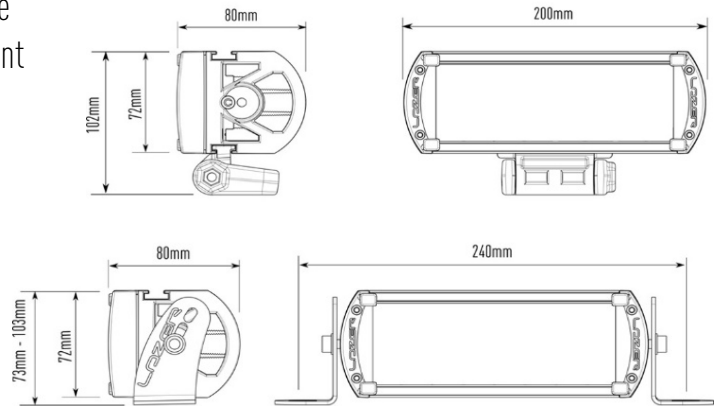
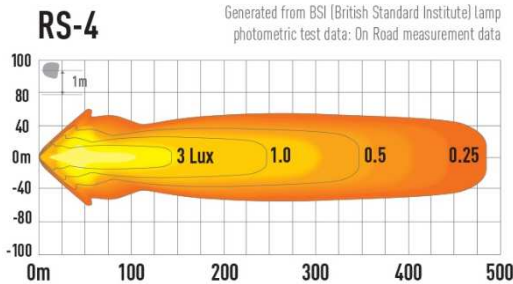


TECHNICAL SPECIFICATIONS

E-MARK REF	7.5
VOLTAGE RANGE	9V-32V
RAW LUMENS	3632
BEAM PATTERN	Hybrid
OPTICAL EFFICIENCY	88%
BEAM DISTANCE (0.25LX)	485m
# HIGH POWER LEDS	4 +10
POWER CONSUMPTION	48 Watts
CURRENT DRAW**	3.3 Amps
LED LIFE	50,000 Hrs*
WEIGHT	800 Grams

* LED Manufacturers Specifications ** At 14.4 Volts

- Dual optic reflector system delivers class leading distance and mid-range spread of light
- Integrated Daytime Running Light dims at night to become Position Light
- Highest output LED 'bins' selected for optimal performance
- CAE optimised heatsink and electronic thermal management
- 'Unbreakable' polycarbonate lens



MOUNTING OPTIONS



(Side Brackets Sold Separately)

LAZER LAMPS LTD
 Unit 2 Pages Old Mill, Tamworth Road, Hertford, SG13 7DG, UK
 Tel: +44(0)1992 677071
 Email: sales@lazerlamps.com
 www.lazerlamps.com

